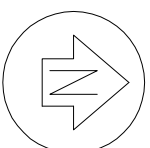
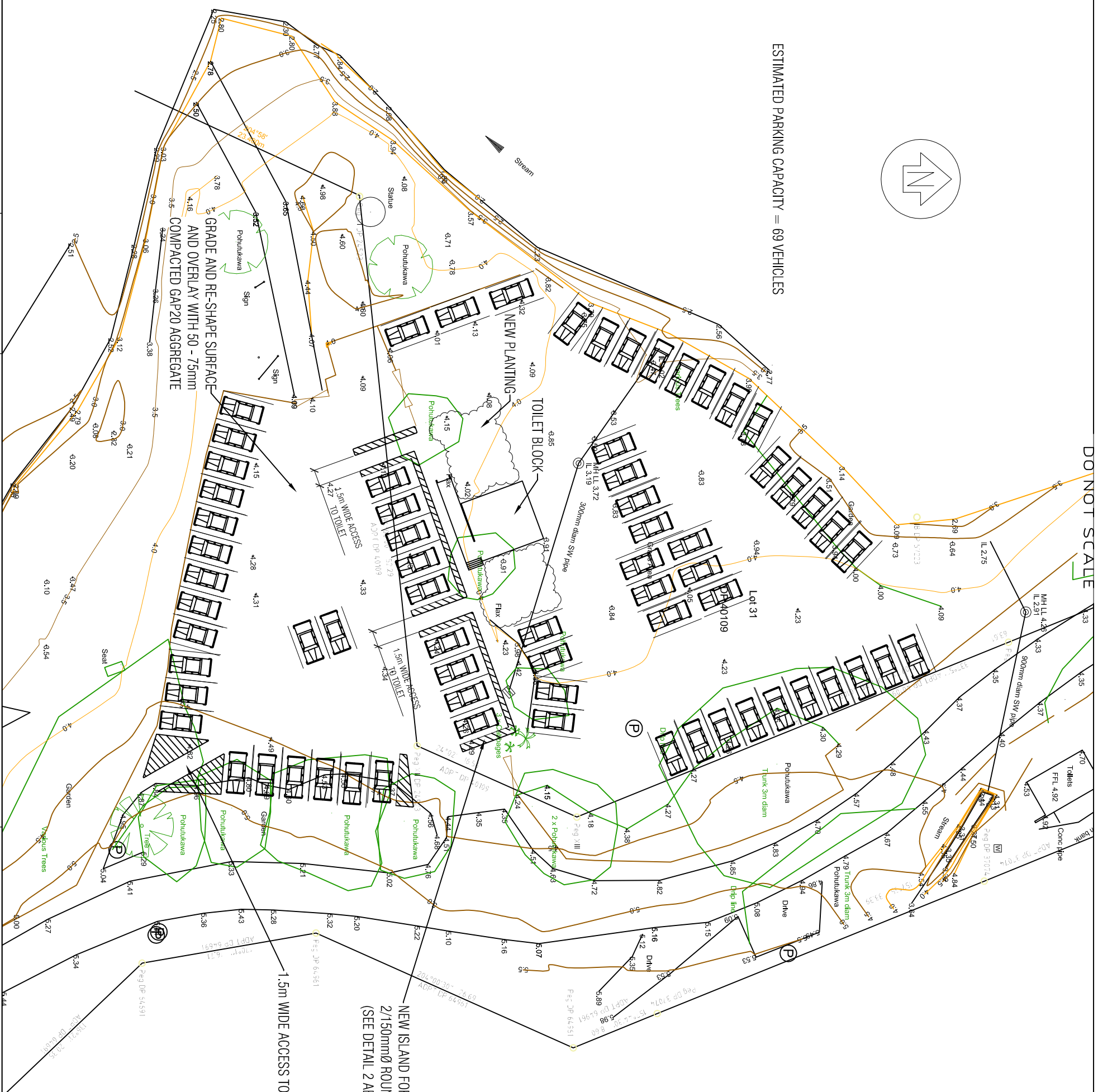


DO NOT SCALE

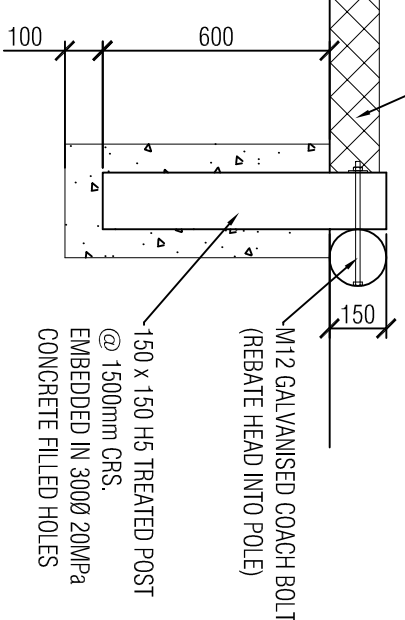


ESTIMATED PARKING CAPACITY = 69 VEHICLES

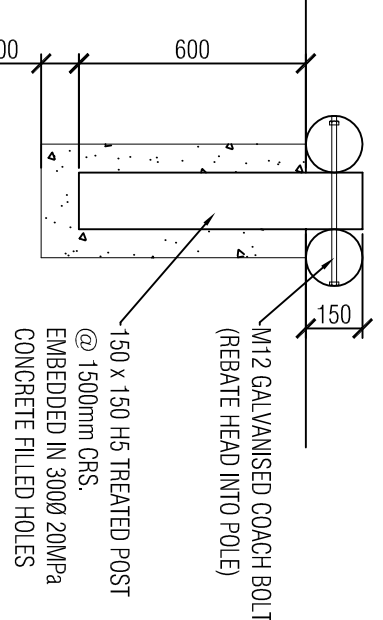


DO NOT SCALE

PLANTED AREA



01 - WHEELSTOP AROUND ISLAND
SCALE:1:20



02 - TYPICAL WHEELSTOP
SCALE:1:20

NEW ISLAND FORMED WITH 2/150mmØ ROUNDS ON GROUND (SEE DETAIL 2 ABOVE)

1.5m WIDE ACCESS TO CAR PARK

GRADE AND RE-SHAPE SURFACE AND OVERLAY WITH 50 - 75mm COMPACTED GAP20 AGGREGATE

Stream

Frame Group Limited
 PO BOX 147211, PONSONBY, AUCKLAND 1144
 LEVEL 2, 16 COLLEGE HILL, AUCKLAND, NZ
 PHONE: 09 638 7221 FAX: 09 376 0513
 © Frame Group Limited - No unauthorised copying

PREPARED FOR
Auckland Regional Council

PROJECT
**AUCKLAND REGIONAL COUNCIL
 MAIN BEACH CAR PARK, KAREKARE**

TITLE
**PROPOSED CAR PARK LAYOUT
 OPTION 1**

SCALE		DATE	
1:400		OCTOBER 2007	
DRAWN		FOL JOB	
DK/JC		07/070	
APPROVED		DRAWING	
		01	REV B

13/12/2007 REV B - GENERAL AMENDMENTS